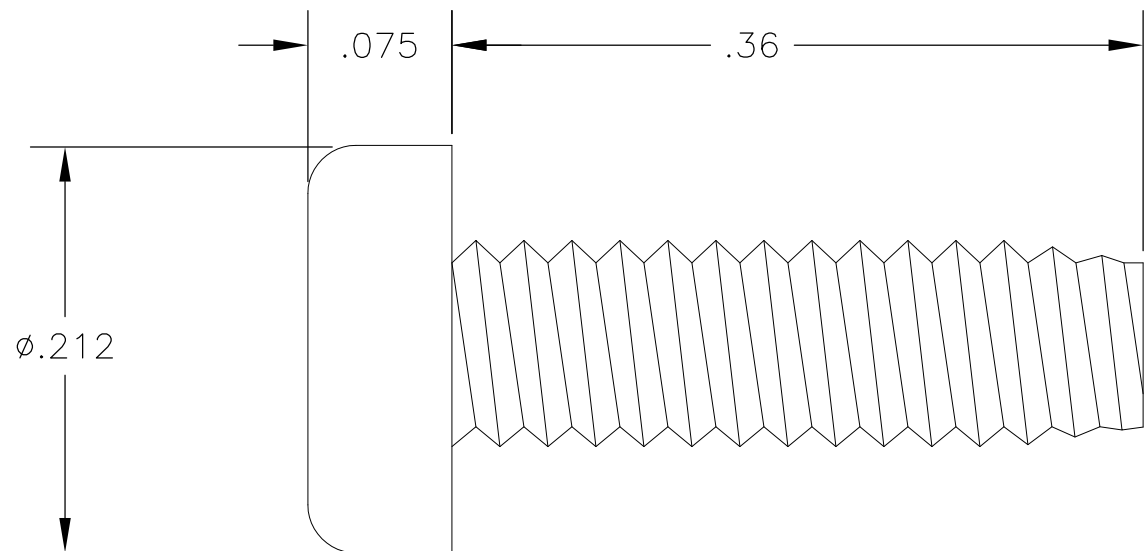
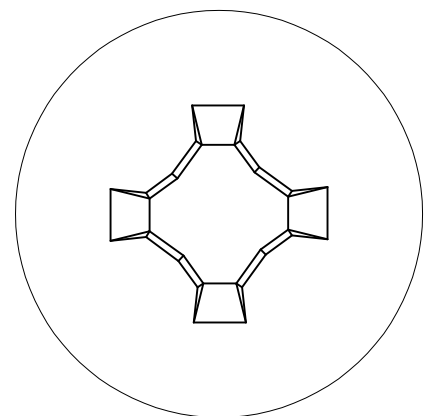


THIS DRAWING IS UNPUBLISHED. RELEASED FOR PUBLICATION
 © COPYRIGHT BY TYCO ELECTRONICS CORPORATION. ALL RIGHTS RESERVED.

LOC	DIST	REVISIONS					
GP	00	P	LTR	DESCRIPTION	DATE	DWN	APVD
			A	NEW RELEASE	21DEC07	RG	DO



1. PART NUMBER CHANGES AND/OR DESIGN CHANGES AFFECTING ITEM INTERCHANGEABILITY REQUIRE PRIOR TYCO ELECTRONICS APPROVAL AND AUTHORIZATION BY REVISION TO THIS DRAWING.
2. ITEMS PROVIDED TO THIS SPECIFICATION TO BE PERMANENTLY IDENTIFIED ON THE CONTAINER PER THE FOLLOWING IDENTIFIER:

TYCO ELECTRONICS P/N:
 XXXXXXXX-X

DATE CODE (e.g. 0212):
 XXXX

YEAR WEEK

AS SHOWN	1766829-1
DESCRIPTION	PART NUMBER

THIS DRAWING IS A CONTROLLED DOCUMENT.		DWN	R.GRZYBOWSKI	21DEC2007	Tyco Electronics Corporation Harrisburg, PA 17105-3608																
DIMENSIONS: INCHES		CHK	D.ORRIS	21DEC07	NAME																
TOLERANCES UNLESS OTHERWISE SPECIFIED:		APVD	S.FLICKINGER	21DEC07	SCREW, SELF-TAPPING 4-40 THD. PAN HEAD, PHILLIPS																
<table border="1"> <tr><td>0 PLC</td><td>± -</td></tr> <tr><td>1 PLC</td><td>± -</td></tr> <tr><td>2 PLC</td><td>± .02</td></tr> <tr><td>3 PLC</td><td>± .010</td></tr> <tr><td>4 PLC</td><td>± -</td></tr> <tr><td>ANGLES</td><td>± -</td></tr> </table>		0 PLC	± -	1 PLC	± -	2 PLC	± .02	3 PLC	± .010	4 PLC	± -	ANGLES	± -	PRODUCT SPEC		SIZE			CAGE CODE	DRAWING NO	RESTRICTED TO
0 PLC	± -																				
1 PLC	± -																				
2 PLC	± .02																				
3 PLC	± .010																				
4 PLC	± -																				
ANGLES	± -																				
MATERIAL		FINISH		WEIGHT		A3 00779		C-1766829													
CUSTOMER DRAWING				SCALE		SHEET		REV													
				10:1		1 OF 1		A													

ELCON DOMINO